

# Scope Wonder

This is simply a great performing wall washer. With a 3" aperture sitting completely recessed, this fixture pushes the light all the way to the top of the wall. Providing a 2:1 vertical illumination ratio from top to bottom on a 10' wall, we challenge you to find anything better. The Scope W 3" wall wash is part of larger Scope Wonder downlight collection providing an incredibly wide selection of finishes, mounting options, sources and technology including the release of our INK tunable white source in 2 dynamic ranges.

PROJECT:

TYPE:

SPECIFIER:

DATE:

## Key Points (SCW3WW-S)

### Trim

- Machined aluminum Body in USA
- 40 flange color options + custom RAL
- Flange or flangeless

### Source / Optics

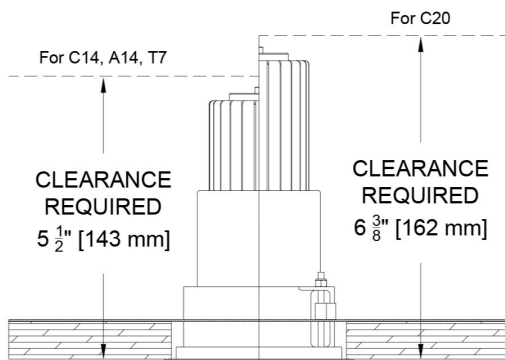
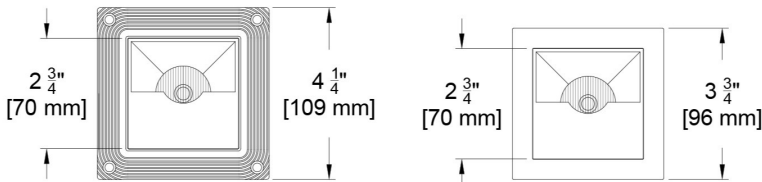
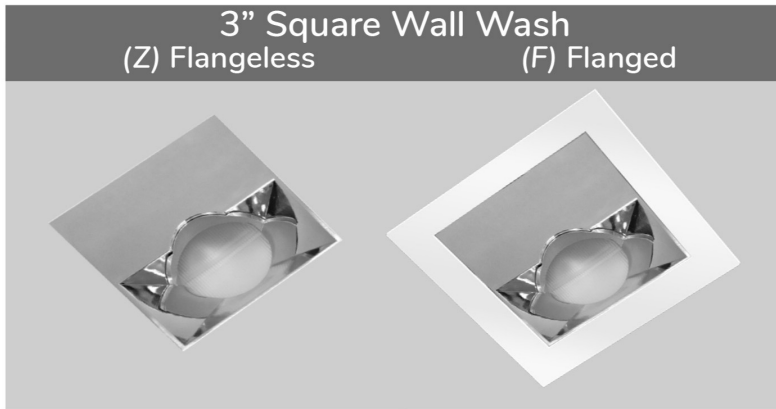
- Tunable White with 2 available ranges (1800 to 4000k and 2700 to 6500k)
- Achieves 2:1 vertical illumination ratio from top to bottom of wall with 2.5' setback and 2.5' on-center spacing
- Up to 934 delivered lumens
- <2 MacAdams Ellipses (<2 SDCM)
- 90+ CRI, 60+ R9 Standard, 95+ CRI, 90+ R9 available with Ambient Dim option
- 2700, 3000, 3500, 4000K, Ambient Dim (3000 to 1900k)
- **TITLE 24** C14 and T7 2765 Sources meet California Title 24 Requirements to JA8
- Lifetime: L87B3>55,000 hours at 40°C Ambient (Fixed White)

### Housing

- Remodel or millwork option available
- **TITLE 24** IC Rated / airtight housing approved for use in direct contact with insulation, Chicago Plenum Available and meets CA Title 24
- 2 pan options IC rated for use in direct contact with insulation (not for spray foam)

### Driver And Control

- Drivers are integral with fixtures unless noted as remote mount with \* in ordering code options. "K can" type drivers do not fit through the 3" hole
- TruPhase™, 0-10, DALI, Ecosystem or Wireless Control
- Flicker free to IEEE 1789-2015 available with EldoLED and TruPhase™ selections
- Universal 120-277v



Square Standard Size (F)

SQUARE Wall Wash				
Source	System watts (W)	Delivered Lumens (lm)	Lumens/Watt	Peak cd
Citizen C14	14	642	46	1051
Citizen C20	21	934	44	1548
Ambient Dim A14	15	469	32	769
Tunable White 1840	10	329	32	532
Tunable White 2765	10	435	43	677

Citizen and Ambient Dim data based on measurements at 3000k.  
Tunable white data at midpoint CCT of color range.

# Ordering Codes

PROJECT:

SPECIFIER:

DATE:

TYPE:

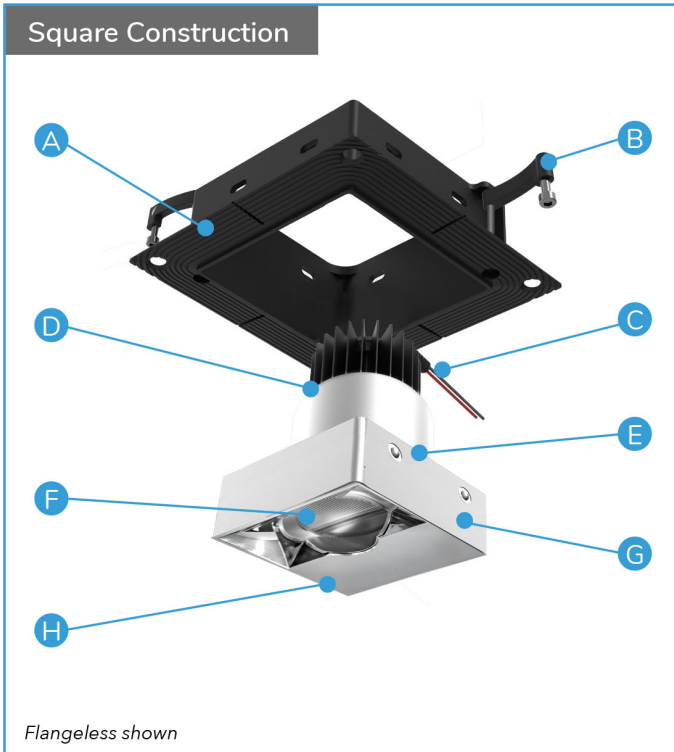
QUANTITY:

Ordering Code Example: SCW3WW-S-F-BP-A14-AD-E2-A32

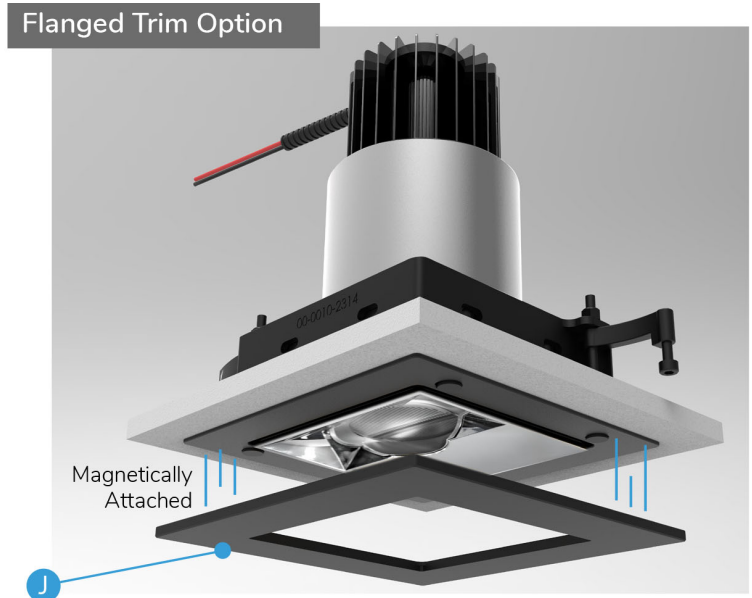
FIXTURE	TRIM	MOUNTING	SOURCE / WATTS	CCT	DRIVER / CONTROL	TRIM FINISH	ACCESSORIES
<p><b>SCW3WW-S</b></p> <p>Scope Wonder 3" Wall Wash - Square</p>	<p>F Flanged Trim</p> <p>Z Flangeless Trim</p>	<p>NP New Pan (IC rated) for Mounting to bottom studs<sup>^</sup></p> <p>BP Bracket Pan (IC Rated) for mounting with hanger bars to studs or T-bar<sup>^</sup></p> <p>AT ●● Airtight Housing*</p> <p>PM Panel Mount§</p> <p>RM Remodel mounts direct to ceiling with clamps</p> <p>●● Supports CA Title 24 compliance to JA8 requirements</p> <p>* Chicago Plenum available with AT</p> <p><sup>^</sup> Not Airtight, Not for use with spary foam</p> <p>§ Must be used with flangeless trims.</p>	<p><b>Citizen</b></p> <p>C14 ●● 15W 642Lm* 90+CRI, 60+R9</p> <p>C20 21W 934Lm* 90+CRI, 60+R9</p> <p><b>Tunable</b></p> <p>T7 ●● 7W 90+CRI, Tunable White</p> <p>T20 ●● 21W 90+CRI, Tunable White</p> <p><b>Ambient Dim™</b></p> <p>A14 15W 469Lm* 95+CRI, 90+R9</p> <p>A20 ●● 20 95+CRI,</p> <p>●● Supports CA Title 24 compliance to JA8 requirements</p> <p><sup>^</sup>1840cct is not Title 24 compliant</p> <p>*based on 2765cct</p> <p>+LTT or EidoLED driver selection required and will be supplied with 2 Channel version</p> <p><a href="#">View Photometry</a></p>	<p>24 2400K</p> <p>27 2700K</p> <p>30 3000K</p> <p>35 3500K</p> <p>40 4000K</p> <p><b>Tunable</b></p> <p>TW1840 1800-4000K Tunable White w/ E1, E2, E3, E4</p> <p>TW2765 2700-6500K Tunable White w/ E1, E2, E3, E4</p> <p><b>Ambient Dim™</b></p> <p>2722 * 2700-2200K *A14 Only</p> <p>3019 3000-1900K</p> <p>3022* 3000-2200K *A14 Only</p>	<p>C1 0-10 1.0%, UNV (120-277V) linear</p> <p>C2 ELV/Triac 1.0%, (120V) linear</p> <p>E1 0-10* 0.1%, UNV (120-277V) log</p> <p>E2 DALI-2* 0.1%, UNV (120-277V) log</p> <p>E3 0-10* 0.1%, UNV (120-277V) linear</p> <p>TR2 TruPhase™ 0.1%, (120-120V) log Up to 20W Forward and Reverse compatible Phase Dimming Static White &amp; Ambient Dim only</p> <p>LD Digital Ecosystem* 1.0%, UNV (120-277V) ECO Hi-Lume SoftOn/Fade-to-Black LDE1</p> <p>* Requires remote mounting</p>	<p>W White Paint</p> <p>A01 Black Anodize</p> <p>A32 Clear Aluminum Anodize</p> <p>AXX Specialty anodize color*</p> <p>PXX Specialty Paint Color*</p> <p>C Custom/RAL Color*</p> <p>K Blank for use with Flangeless or Panel Mount</p> <p>*See Finish Guide</p>	<p>CP Chicago Plenum</p> <p>EM Emergency Pack</p> <p><b>Controls</b></p> <p>LR Lutron Wireless RF PowPak</p> <p>ATH Lutron Athena Wireless Node <i>Must be used with E2 driver (DALI-2)</i></p> <p>CA Casambi Wireless BLE to be paired with driver</p>

# Fixture Details

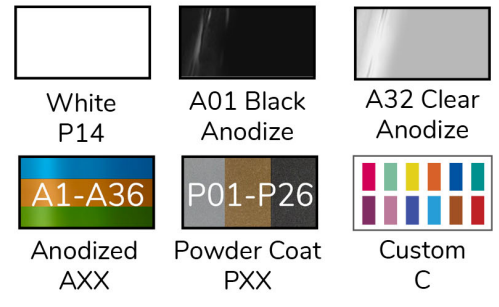
Receiver with integral trim attachment flange mounts pan or housing with ceiling clamps. Body assembly attaches to receiver with ball plungers.



Flangeless shown



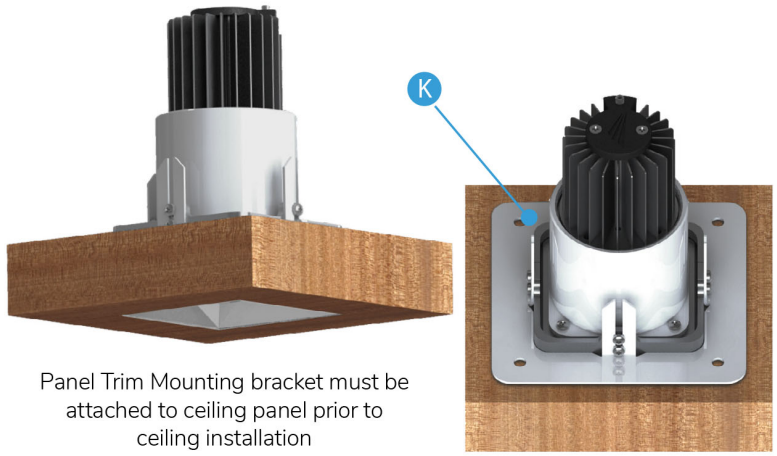
## Flanged Finish Options



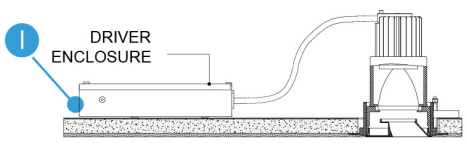
## Square Assembly Specs

- A** Receiver – High Grade Aluminum precision machined in U.S.A. with integral mud flange
- B** Ceiling Clamp- Inserts into ceiling and automatically spreads during installation
- C** 22AWG wire to Driver. Enclosed in flexible conduit connected to driver enclosure.
- D** Thermal management system and body. High grade anodized aluminum, precision machined in the U.S.A.
- E** LED Assembly- Field serviceable as part of thermal management system (not shown)
- F** Relector optic- Field changeable
- G** Bezel holder- Precision machined in the U.S.A. with ball stud attachment feature for solid locking and field service
- H** Wall Wash optic- Molded polycarbonate metalized
- I** Integral driver and enclosure – UL approved for IC-serviceable from below the ceiling
- J** Finish Trim Flange magnetically attached (flange option)
- K** Receiver and mounting bracket for Panel Trim/ millwork wood ceiling

## Panel Trim Option



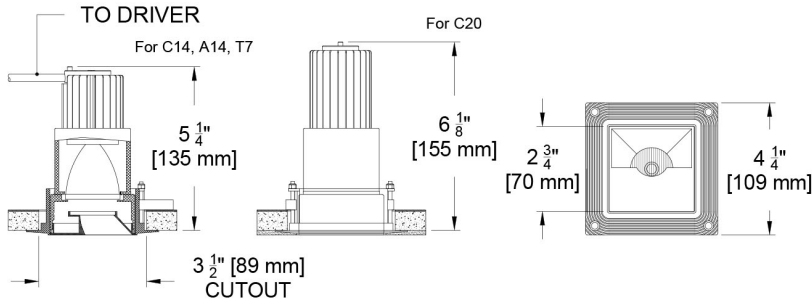
Panel Trim Mounting bracket must be attached to ceiling panel prior to ceiling installation



# Ceiling Cutouts and Dimensions

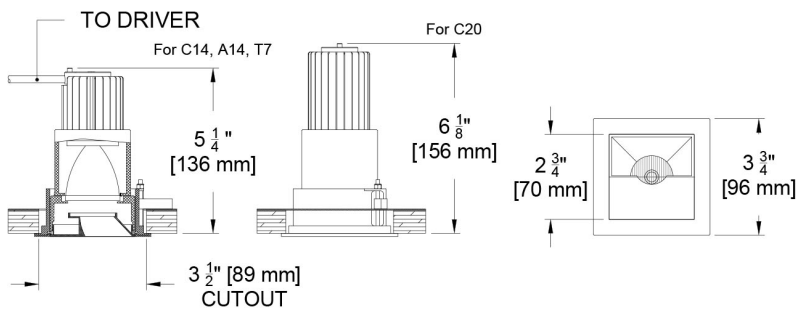
## Square New or Bracket Pan Flangeless Trim (Z)

(SCW3WW-S-Z-BP / NP-)



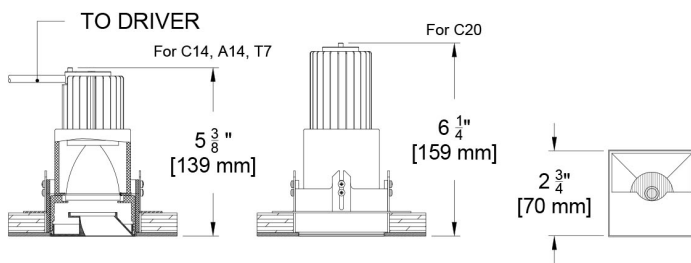
## Square New or Bracket Pan Flanged Trim (F)

(SCW3WW-S-F-BP / NP-)

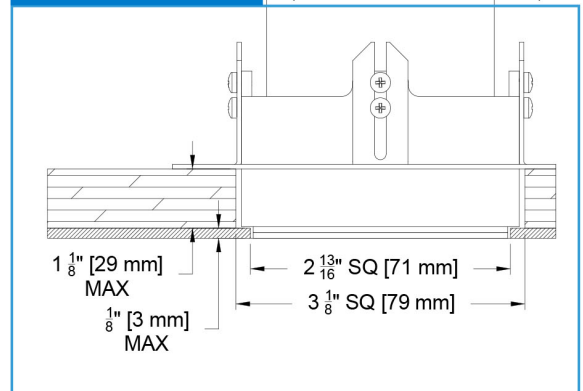


## Square Panel Mount

(SCW3WW-S-F-PM-)



### Panel Mount Detail (SCW3WW-S-Z-PM-)

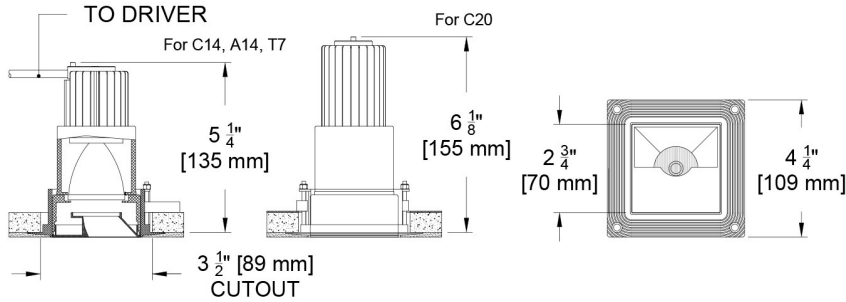


# Ceiling Cutouts and Dimensions

## Square Remodel

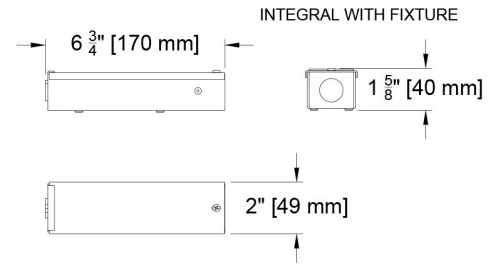
### Flangeless Trim (Z)

(SCW3WW-S-Z-RM-)



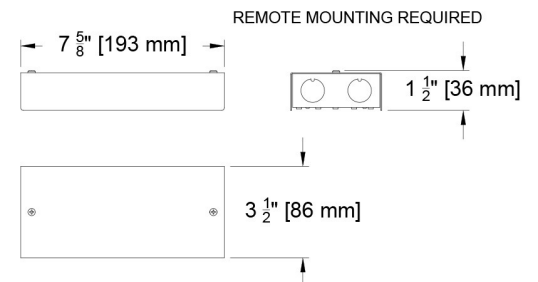
## Driver Enclosure

### for C1, C2, TR2



## Driver Enclosure

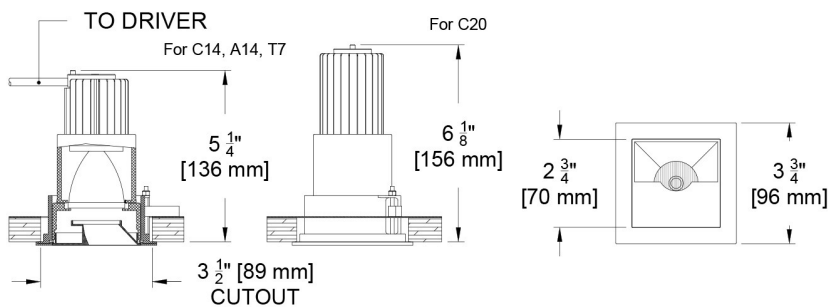
### for E1, E2, E3, E4, LD



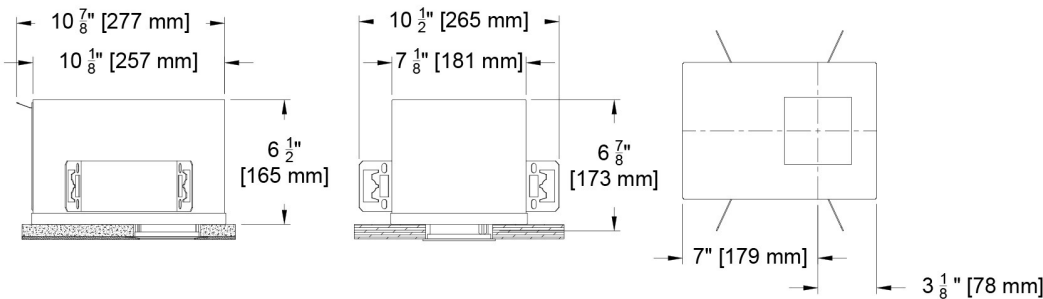
## Square Remodel

### Flanged Trim (F)

(SCW3WW-S-F-RM-)



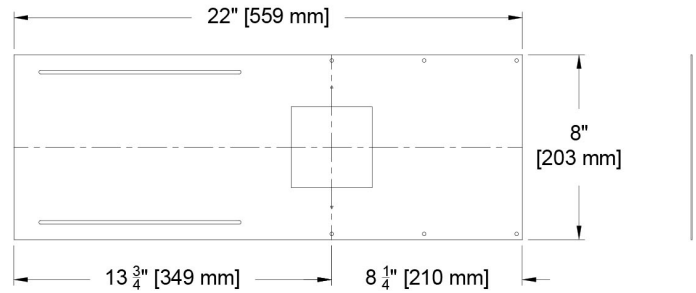
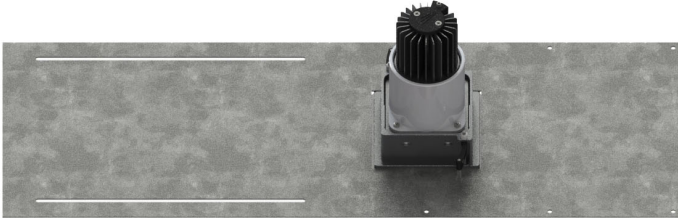
## Square Airtight (AT)



# Mounting Options

## New Pan (SCW3WW-S-\_-NP)

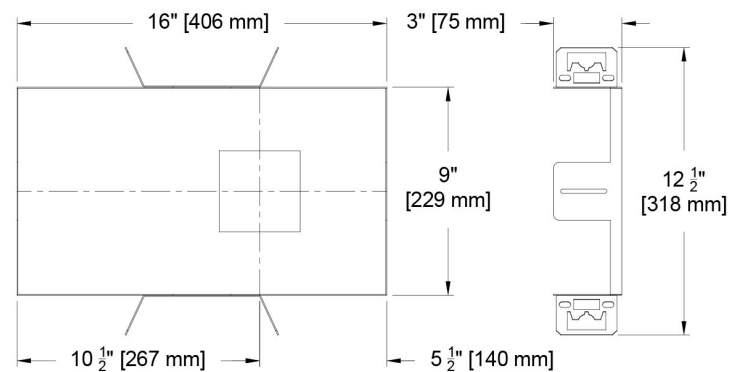
For new construction and attachment to bottom of studs



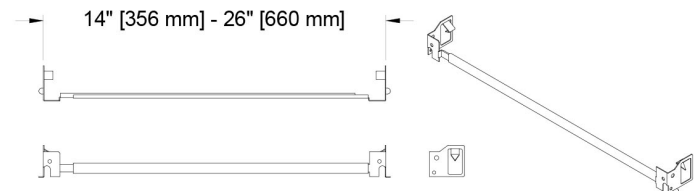
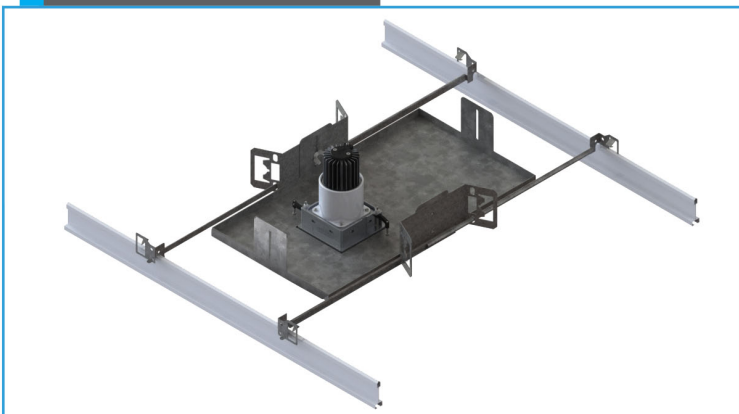
## Bracket Pan (SCW3WW-S-\_-BP)

For new construction using hanger bars for attaching to studs or drop ceiling

### Option 1- Attaching to Studs



### Option 2- Attaching to Drop Ceiling



Note: For panel trim mounting see page 3 for picture of detail or refer to installation instructions

# Photometric Table

All data below are delivered lumens based on goniometer measurements of production representative product. All lumen values can vary +/- 10% from LED manufacturer rated flux range.

SQUARE Wall Wash				
Source	System watts (W)	Delivered Lumens (lm)	Lumens/Watt	Peak cd
Citizen C14	14	642	46	1051
Citizen C20	21	934	44	1548
Ambient Dim A14	15	469	32	769
Tunable White 1840	10	329	32	532
Tunable White 2765	10	435	43	677

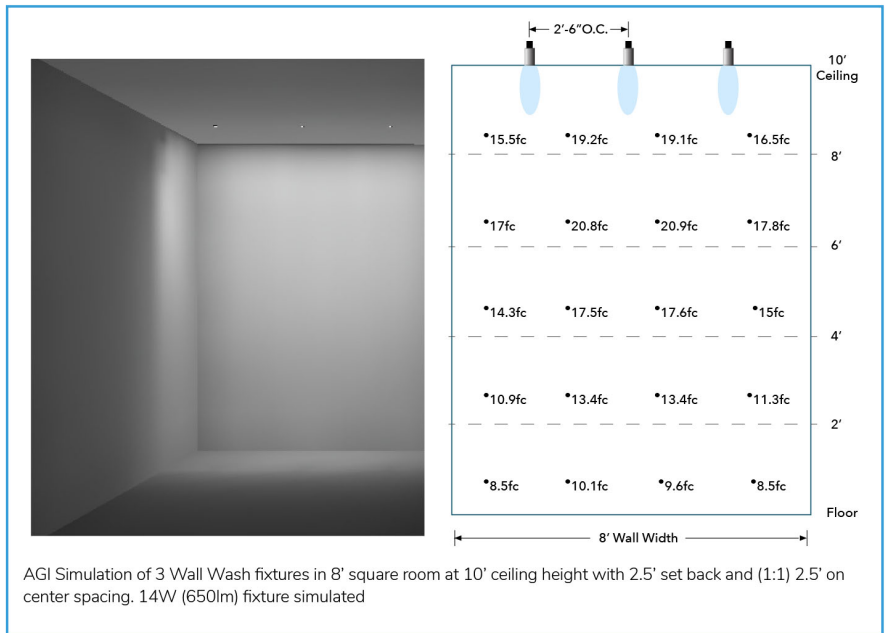
CCT Multiplier	
CCT	Citizen
2700	0.95
3000	1.00
3500	1.02
4000	1.03

**Beam angle**

**36.6°**

All Measurements 3000K unless otherwise noted below. Ambient dim measured at full output. Tunable White measurements at mid-point CCT of range (2700k for 1840 and 4500k for 2765). C14 is only source meeting CA Title 24 JA8 efficacy requirements.

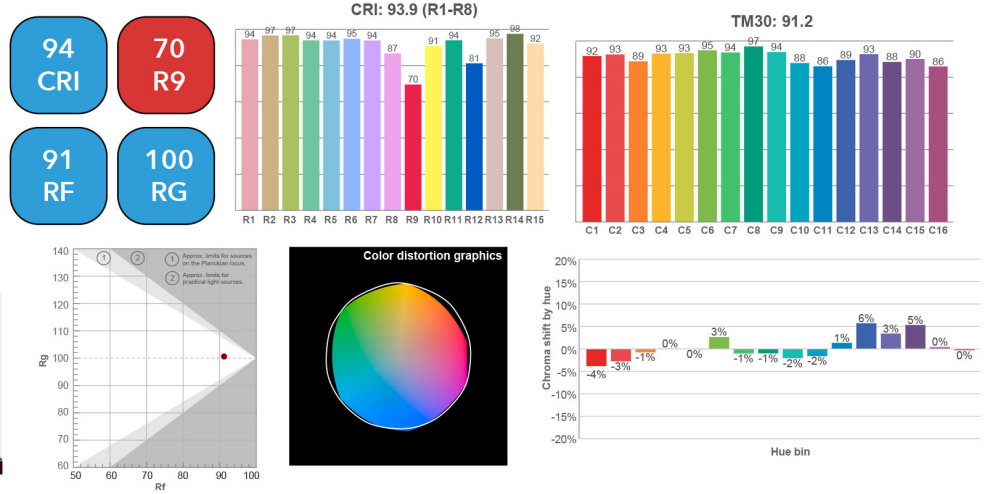


# Color Data

All data below are delivered lumens. Color and flux information based on goniometer measurements of production representative product. All values can vary +/- 10% from LED manufacturer rated data range as listed on their datasheet.

## Citizen - C14 and C20

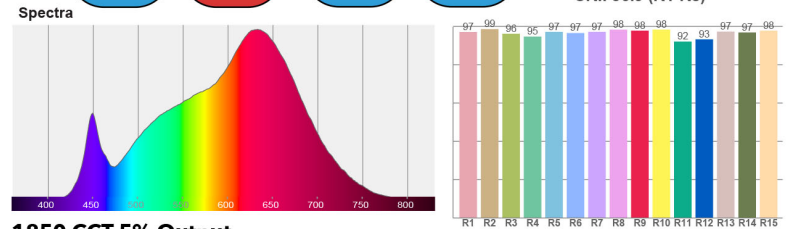
- <2 MacAdam Ellipse (<2 SDCM)
- 90+ CRI and RF
- 60+R9, Hue Bin 1



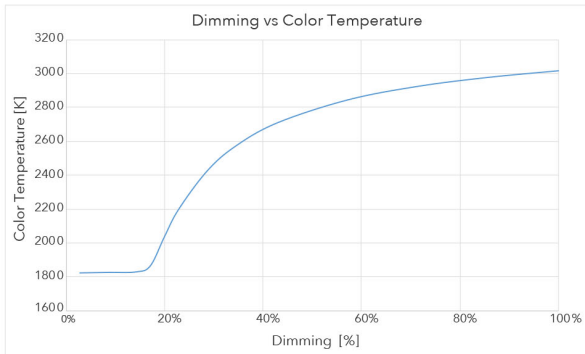
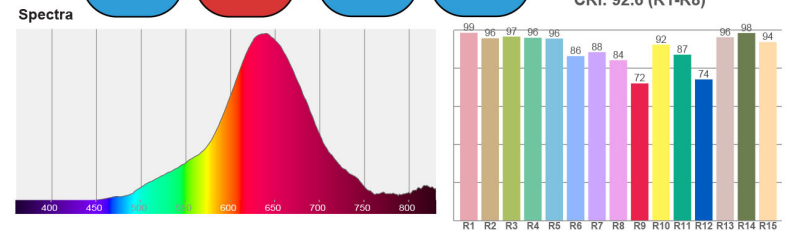
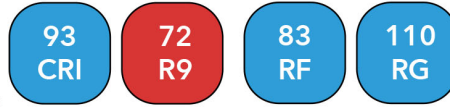
## Ambient Dim - 3000k to 1900k

- <3 MacAdam Ellipse (<3 SDCM)
- 95+ CRI and RF
- 90+R9, Hue Bin 1
- Follows Black Body Locus through dimming range

### 3000 CCT Full Output



### 1850 CCT 5% Output

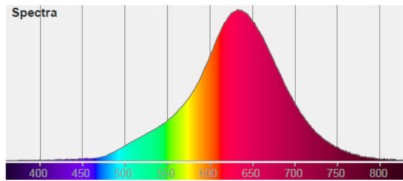


## Tunable White 1800k to 4000k

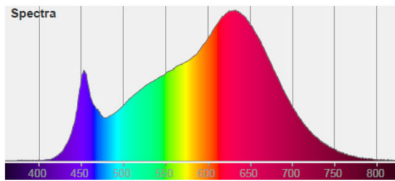
- <3 MacAdam Ellipse (<3 SDCM)
- 94 CRI average across all CCTs
- 76 R9 average across all CCTs
- Available with wired or wireless control

TUNABLE WHITE - 1800-4000K							
<b>Color Temp</b>	1800	2200	2500	2700	3000	3500	4000
<b>System Watts</b>	10	10	10	10	10	10	10
<b>Delivered Lumens</b>	254	290	314	329	361	382	382
<b>Luminaire Efficiency</b>	25	29	31	33	36	38	38
Flux and Color data based on measurement at 2700k. All other values are extrapolated from actual and analytical tests							

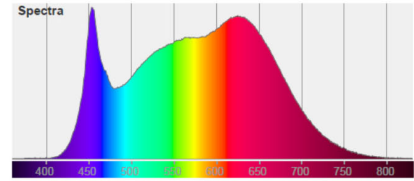
Spectral Power Distributions at all listed CCTs available upon request



1800K



3000K



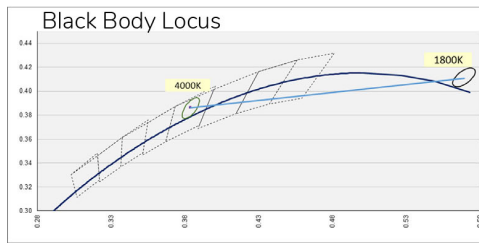
4000K

94 CRI

76 R9

89 RF

97 RG

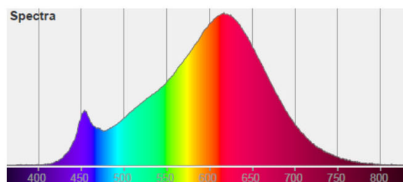


## Tunable White 2700k to 6500k

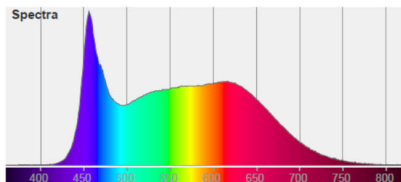
- <3 MacAdam Ellipse (<3 SDCM)
- 94 CRI average across all CCTs
- 96 R9 average across all CCTs
- Available with wired or wireless control

TUNABLE WHITE - 2700-6500K									
<b>Color Temp</b>	2700	3000	3500	4000	4500	5000	5500	6000	6500
<b>System Watts</b>	10	10	10	10	10	10	10	10	10
<b>Delivered Lumens</b>	409	422	435	436	435	434	434	432	438
<b>Luminaire Efficiency</b>	41	42	44	44	44	43	43	43	44
Flux and Color data based on measurement at 4500k. All other values are extrapolated from actual and analytical tests									

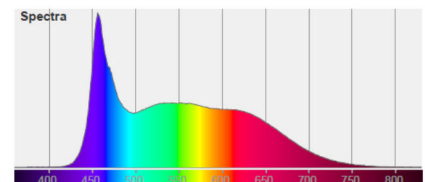
Spectral Power Distributions at all listed CCTs available upon request



2700K



5000K



6500K

96 CRI

96 R9

91 RF

99 RG

